

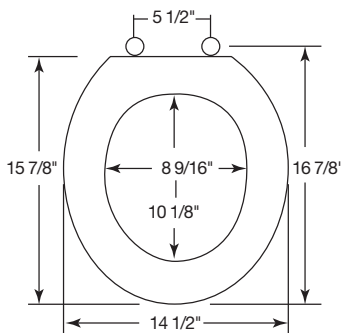


COMMERCIAL PLASTIC SEATS

MODEL 35EC

EASY•
CLEAN™

- ROUND SEAT, OPEN FRONT WITH COVER
- SOLID PLASTIC
- EASY•CLEAN™ HINGE



Ring thickness is 1/2"
Ring thickness including the bumper is 13/16"
Height of the seat with cover is 1-7/8"

Seats shall be No. 35EC as manufactured by Church Seats. Seats shall be commercial weight and injection molded of solid plastic. Seat shall be open front with cover for round bowl and feature molded in bumpers. Color-matched Easy•Clean™ hinges contain stainless steel pintles, non-corrosive top-tightening bolts, wing nuts and no-slip washers. Seat and cover easily lift off for cleaning or replacement. Color to be _____. (specify white or manufacturer's color)



EASY•CLEAN™ HINGE



TWIST HINGE TO UNLOCK



LIFT-OFF™ FEATURE



EASY•CLEAN™ LIFTS OFF FOR EASY CLEANING