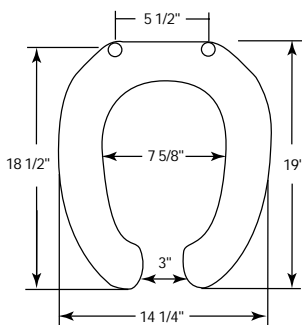
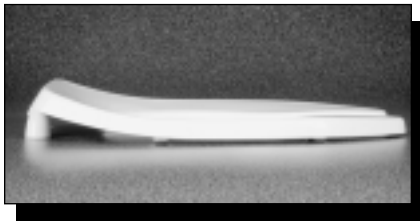


COMMERCIAL PLASTIC SEATS



Seats shall be No. _____ as manufactured by Church Seats. Seats shall contain DuraGuard®, an antimicrobial agent. Seats shall be extra heavy weight and injection molded of solid plastic. Seats shall be open front less cover for elongated bowl and feature large molded-in bumpers. External check hinges to feature 300 Series stainless steel posts that stop seat 11 degrees beyond vertical. Uses 300 Series stainless steel hardware. Color to be white. Hinges shall be _____.



MODEL 3155C

- ELONGATED SEAT
OPEN FRONT LESS COVER
- SOLID PLASTIC
- DURAGUARD®
ANTIMICROBIAL AGENT



- 3155C Open front seat less cover/external check hinge stops seat 11° beyond vertical.
 - 3155SSC Open front seat less cover/stainless steel, self-sustaining and external check hinge holds seat in any raised position up to 11° beyond vertical.
- Ring thickness is 1"
Ring thickness including the bumper is 1-3/16"
Height of the seat is 2-5/8"

