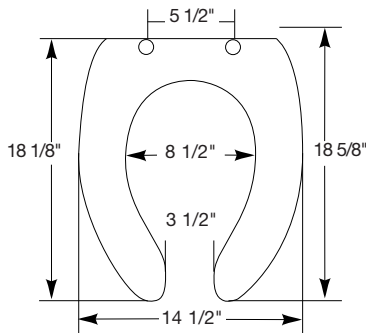




## COMMERCIAL PLASTIC SEATS

### MODEL 255

- ELONGATED SEAT, OPEN FRONT LESS COVER
- SOLID PLASTIC
- CONCEALED 300 SERIES STAINLESS STEEL CHECK HINGE



Seats shall be No. 255 as manufactured by Church Seats. Seats shall be commercial weight and injection molded of solid plastic. Seats shall be open front less cover for elongated bowl and feature large molded-in bumpers. Concealed check hinges to feature 300 Series stainless steel posts that stop seat 11 degrees beyond vertical. Uses 300 Series stainless steel hardware. Color to be white.

Ring thickness is 13/16"

Ring thickness including the bumper is 1"

Height of the seat with cover is 1-1/2"

