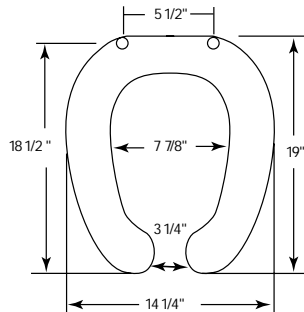
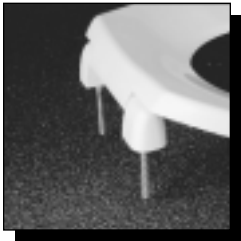
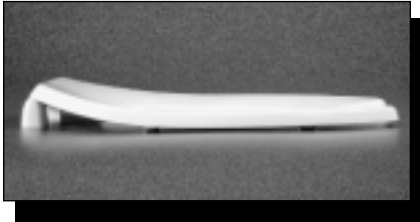


# COMMERCIAL PLASTIC SEATS



Seats shall be No. \_\_\_\_\_ as manufactured by Church Seats. Seats shall contain DuraGuard®, an antimicrobial agent. Seats shall be heavy weight and injection molded of solid plastic. Seats shall be open front less cover for elongated bowl and feature large molded-in bumpers. External check hinges to feature 300 Series stainless steel posts that stop seat 11 degrees beyond vertical. Uses 300 Series stainless steel hardware. Color to be white. Hinges shall be \_\_\_\_\_.



## MODEL 2155C

- ELONGATED SEAT  
OPEN FRONT LESS COVER
- SOLID PLASTIC
- DURAGUARD®  
ANTIMICROBIAL AGENT



- 2155C Open front seat less cover/external check hinge stops seat 11° beyond vertical.
- 2155SSC Open front seat less cover/stainless steel, self-sustaining and external check hinge holds seat in any raised position up to 11° beyond vertical.

Ring thickness is 13/16"  
Ring thickness including the bumper is 1"  
Height of the seat is 2-1/4"

