

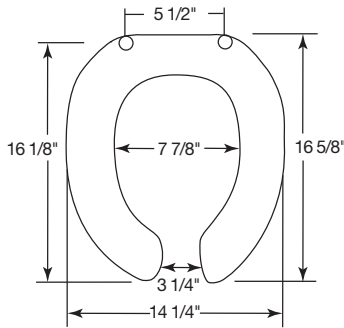


COMMERCIAL PLASTIC SEATS

MODEL 2055C



- ROUND SEAT, OPEN FRONT LESS COVER
- SOLID PLASTIC
- DURAGUARD® ANTIMICROBIAL AGENT



Seats shall be No. _____ as manufactured by Church Seats. Seats shall contain DuraGuard®, an antimicrobial agent. Seats shall be heavy weight and injection molded of solid plastic. Seats shall be open front less cover for round bowl and feature large molded-in bumpers. Concealed check hinges to feature 300 Series stainless steel posts that stop seat 11 degrees beyond vertical. Uses 300 Series stainless steel hardware. Color to be white. Hinges shall be _____.

Ring thickness is 13/16"
 Ring thickness including the bumper is 1"
 Height of the seat is 2-1/4"

2055C Concealed check hinge stops seat 11° beyond vertical.

2055SSC Self-sustaining, concealed stainless steel check hinge holds seat in any raised position up to 11° beyond vertical.

