

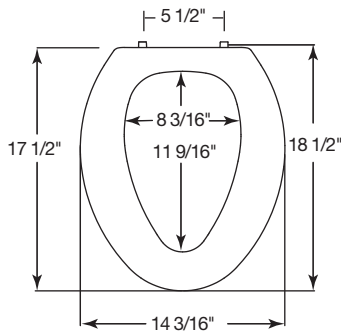


RESIDENTIAL CORALINK™ SEATS

MODEL 19160CHSL/NISL

- ELONGATED SEAT, CLOSED FRONT WITH COVER
- CORALINK™
- CHROME OR BRUSHED-NICKEL EASY•CLOSE™ HINGES

EASY•
CLOSE™
ALËSIO™



Ring thickness is 3/4"
Ring thickness including the bumper is 1"
Height of the seat with cover is 2"

Seats shall be 19160CHSL/NISL as manufactured by Church Seats. Closed front with cover to fit elongated bowls. Alëσιο™ seats are manufactured using Coralink™ to provide unsurpassed surface durability, free from scuffs and scratches. This material feels and looks more like porcelain than other seats. Its revolutionary composition is fireproof and has better scratch resistance. Solid color is distributed throughout the seat. Decorative Chrome or Brushed-Nickel Easy•Close™ hinges eliminate slamming and pinched fingers. Color to be _____. (specify white or fixture manufacturer's color) Hinge finish to be _____. (specify hinge finish)



SILENT EASY•CLOSE™
FEATURE