

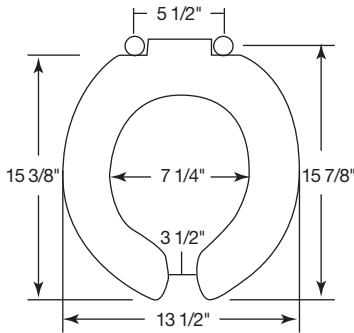


# COMMERCIAL PLASTIC SEATS

## MODEL 1580C



- INFANT SEAT
- OPEN FRONT LESS COVER
- SOLID PLASTIC
- CONCEALED 300 SERIES STAINLESS STEEL CHECK HINGE



Seats shall be No. 1580C as manufactured by Church Seats. Seats shall be injection molded of solid plastic and open front less cover to fit baby bowls. Seats shall feature large molded-in bumpers. Concealed check hinges to feature 300 Series stainless steel posts that stop seat 11 degrees beyond vertical. Uses 300 Series stainless steel hardware. Color to be white.

Ring thickness is 13/16"  
Ring thickness including the bumper is 1-1/4"  
Height of the seat is 1-3/4"

