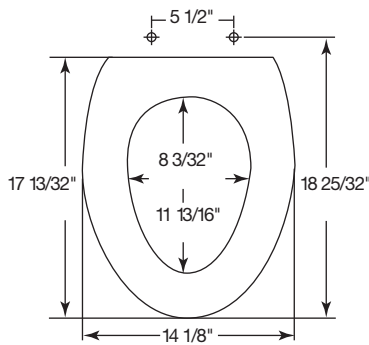




R E S I D E N T I A L M O L D E D W O O D S E A T S

1544NI/CH/BR/OR/AB/MB

Seat shall be 1544NI/CH/BR/OR as manufactured by Bemis Manufacturing Co. Seats shall be molded wood, multi-coat enamel finish with closed front and cover to fit elongated bowl. Color matched bumpers. The 1544 is available in Brushed Nickel, Chrome, Brass, Oil Rubbed Bronze, Antique Brass, or Matte Black hinges to match bath décor. Metal hinges offer a stylish alternative to traditional plastic hinges. And they will not tarnish or corrode. Color to be _____. (Specify white of fixture manufacturer's color) Hinge finish to be _____. (Specify hinge finish.)



**BRASS, CHROME,
BRUSHED NICKEL OR OIL
RUBBED BRONZE HINGES**

Ring thickness is 3/4"
Ring thickness including the bumper is 1 1/16"
Height of the seat with cover is 1 7/8"